



Barcode: 5060452080116

tuffbank™

Product code: TB6

- » Sold Secure and Secured by Design accreditation: TuffBanks.
- » Unique internal anti-jemmy system helps prevent the lid from being.
- » Cable pass-through for secure tool charging.



Watch the TuffBank in action



Product features



2x 5-lever deadlock



Gas strut (450N)



SlamStop lid stay



Forklift skids



No detachable parts

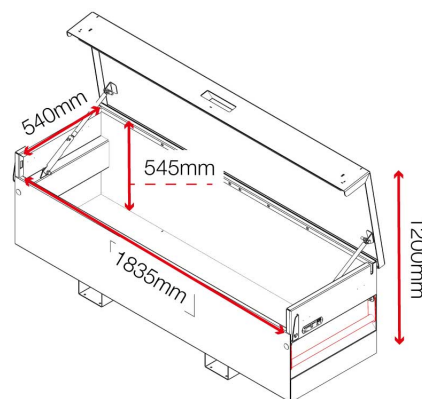
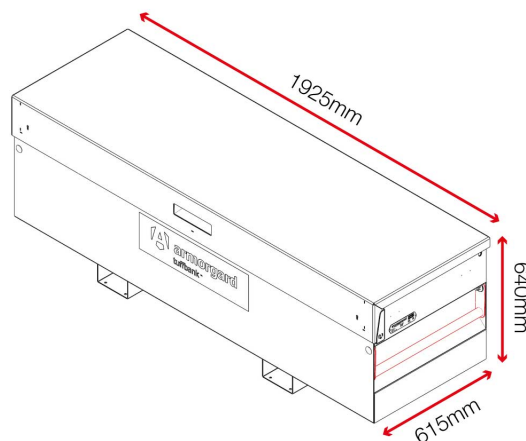


Suitable for vehicles

Product specifications

Weight	119kg
Colour	Black grey: RAL 7021, Traffic red: RAL 3020
Suitable for	Vehicle
Finished coating	Powder coated
Material & thickness	2mm and 3mm steel
Quantity of keys	3 keys
Suitable for vehicle mounting	Yes
How are castors fitted?	Castor plates
Other sizes available	7 other sizes
Qty of shelves as standard	No

Dimensions



Optional extras - Contact Armorgard to find out more



Crane lifting eyes CLEK



Castor kit CAS160-KS-FX-SB-CP